



## Sequence Controls / Control Cabinets Series NAS / NSS

- **Controlling and standardising production processes, ensuring quality**
- Individual duty, pause and idle time settings
- Automatic recognition of connected components
- Maintenance-free
- Dust and splash-water protected



NASmini 8 AC/DC



NASmini 16 AC/DC



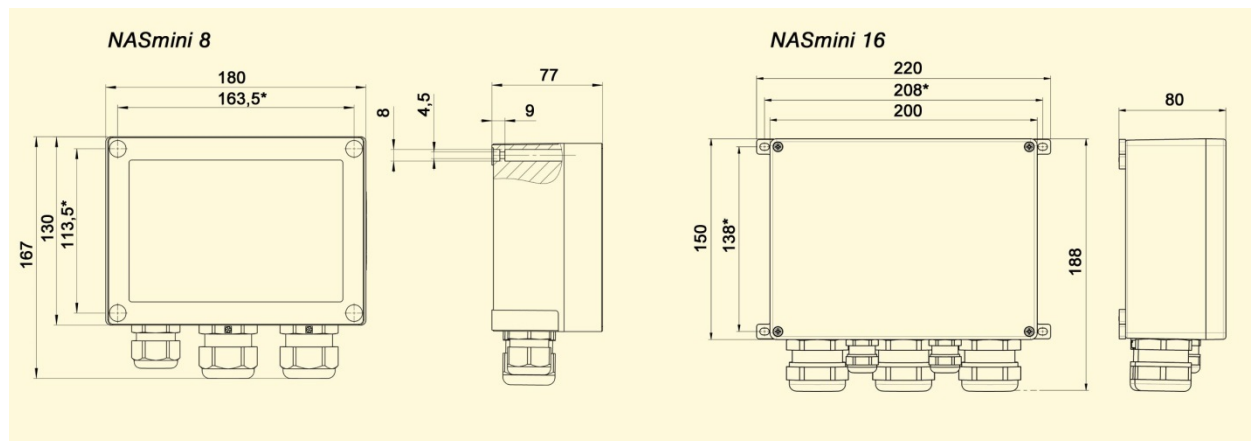
NSS



## Sequence Controls / Control Cabinets Series NAS / NSS

Type	NASmini 8	NASmini 16	NSS
Mains voltage	100 V to 240 V AC or 24 V DC	100 V to 240 V AC or 24 V DC	Control cabinets of the series NSS can be manufactured according to customer requirements.
Output voltage	24 V DC $\pm$ 10 % (short-circuit protected)	24 V DC $\pm$ 10 % (short-circuit protected)	
Own consumption	3 W	max. 30 W (24 V DC); 30 VA (100 – 240 V AC)	
Duty time	0,5 s to 30 s	1 s to 99 s	
Pause time	2 s to 540 s	1 s to 999 s	
Idle time	-	0 to 999 min	
Number of sequences	0 to 9	0 to 9	
Number of outputs	1 to 8	1 to 16, with an extension up to 64	
Ambient temperature	-20 °C to 50 °C	-20 °C to 50 °C	
Dimensions BxHxT	180 x 130 x 77 mm	200 x 150 x 80 mm	
Housing / IP code	Makrolon® housing / IP 65	Makrolon® housing / IP 65	

### Dimensions of NASmini 16 und NASmini 8 [mm]



\*mounting dimensions

#### Netter Sequence Controls Series NAS

##### Applications:

Wherever processes are standardised and continuously high quality must be guaranteed, the Netter Sequence Control Series NAS is applied. This enables processing of sequential procedures.

Appropriately selected intervals for duty and pause times of the vibrators optimise operational processes by saving drive energy and lowering continuous sound level.

##### Design and working principle:

The sequence controls actuate solenoid valves or motor contactors at freely definable intervals.

The duty times of the vibrators, the pause times between the duty times and the number of sequences are adjustable. NAS sequence controls can run control tasks in NSS control cabinets.

##### Features:

The NASmini 16 includes the function of the AP 117 and is, with extensions, able to actuate up to 64 devices.

#### Netter Control Cabinets Series NSS

##### Application fields:

The control cabinets of the series NSS are used for clocked control of pneumatic and/or electric vibrators.

##### Design and working principle:

Idle, pause and duty times can be chosen freely. A cyclical repetition of duty times and vibration monitoring can be integrated in the controls as required by the customer.

We manufacture control cabinets of the series NSS according to your requirements.

**NetterVibration** offers suitable accessories for assembly, installation, actuation and monitoring of vibrators and impactors.

**Netter provides solutions. Consult our experienced application technicians.**

#### Netter GmbH

Fritz-Lenges-Str. 3  
55252 Mainz-Kastel

- Germany
- Switzerland
- Poland
- Spain
- Australia

www.**NetterVibration**.com  
info@**NetterVibration**.com