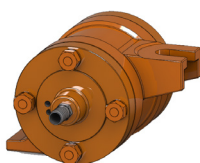


14

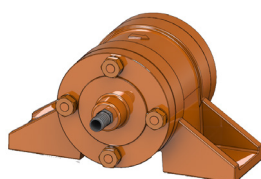
Pneumatic External Vibrators Series NTV



- Circular vibration
- Nominal frequency from 8,500 min⁻¹ to 15,000 min⁻¹
- Centrifugal force from 7,630 N to 53,100 N
- Frequency infinitely variable by air pressure
- No bearings
- Easily and quickly removable
- Silenced version NTV Q



NTV 8-1



NTV 12-F



NTV 20-4 with NVH-4



NTV 30-4Q



Pneumatic External Vibrators Series NTV

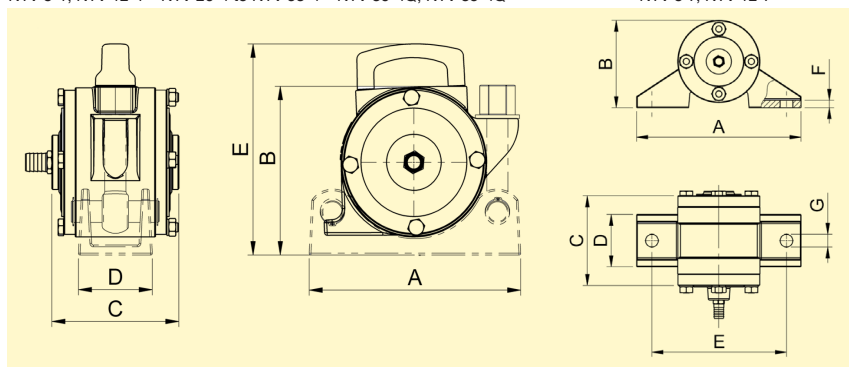
	NTV 8-1	NTV 8-F	NTV 12-1	NTV 12-F	NTV 20-4	NTV 33-4	NTV 34-4	NTV 53-4	NTV 30-4Q	NTV 35-4Q
Nominal frequency [min ⁻¹]	14,000		15,000		8,500	8,500	13,500	13,000	10,500	10,000
Centrifugal force [N]	7,630		11,800		20,440	33,980	34,400	53,100	29,700	35,400
Unbalance [cmkg]	0.71		0.96		5.16	8.58	3.00	4.60	4.90	6.45
Air consumption [l/min]	1,600		1,750		1,700	1,700	1,800	1,800	1,600	1,800
Weight [kg]	6.6	7.1	7.0	7.5	14.9	16.2	14.9	16.0	19.0	21.0

Data obtained on 6 bar

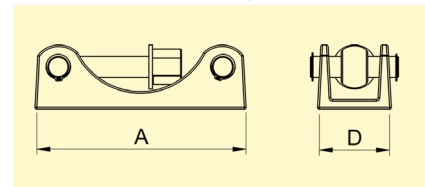
Equipment: 1: bracket size 1 • 4: carrying handle size 4 • F: flange for screw connection • Q: silencer

NTV 8-1, NTV 12-1 • NTV 20-4 to NTV 53-4 • NTV 30-4Q, NTV 35-4Q

NTV 8-F, NTV 12-F



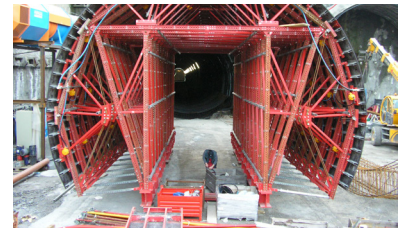
Bracket NVH1, NVH 4



Type	A [mm]	B [mm]	C [mm]	D [mm]	E [mm]	F [mm]	Ø G [mm]
NTV 8-1, NTV 12-1	180	130	145	94	-	-	-
NTV 8-F, NTV 12-F	220	115	145	72	180	10	17
NTV 20-4 to NTV 53-4	240	190	165	90	235	-	-
NTV 30-4Q, NTV 35-4Q	240	190	165	90	235	-	-

Type	A [mm]	D [mm]	Weight [kg]
NVH 1	180	90	3.5
NVH 4	240	90	4.5

Compacting of concrete on tunnel moulds



Application

The pneumatic external vibrators series NTV are especially suitable for compacting, conveying and loosening bulk material.

They are used for compacting concrete, emptying bins and as drives for vibrating crosses.

A special feature is the ruggedness against strong varying loads. There is no danger of overload.

Design and functioning principle

The circular vibration is produced by eccentric rotating rotors. The frequency and herewith the centrifugal force are continuously adjustable by the operating pressure. A way valve is required for actuation (not included in scope of delivery).

Permissible operating conditions

Drive medium:

Oiled and filtered compressed air

Operating pressure:

1 bar to 6 bar

Ambient temperature:

-10 °C to +60 °C

Units for other temperatures are available.

NetterVibration offers the accessories required for the mounting, installation, control and monitoring of vibrators and impactors.

Netter provides solutions.

Consult our experienced application technicians.

Netter GmbH

Fritz-Lenges-Str. 3
55252 Mainz-Kastel

- Germany
- Switzerland
- Poland
- Spain
- Australia
- United Kingdom

www.**NetterVibration**.com
info@**NetterVibration**.com