



28

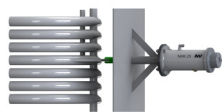
High-Frequency Impactors Series NHK



- Ideal for gentle cleaning of components
- Compaction of bulk materials
- Demoulding of cast parts
- High intensity
- Impact frequency up to 50 bounce impacts per second



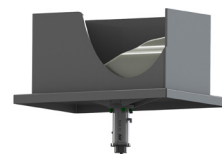
NHK 25 on bin



NHK 25 on heat exchangers



NHK 25 on rotary kilns



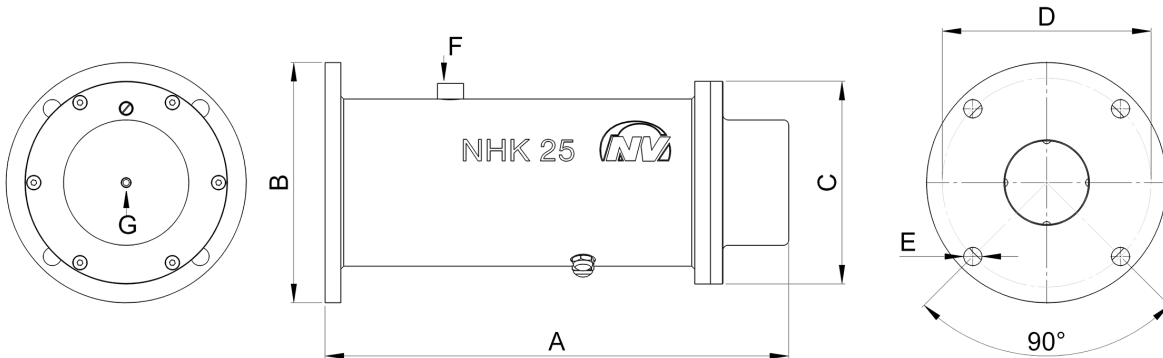
NHK 25 on vibrating table



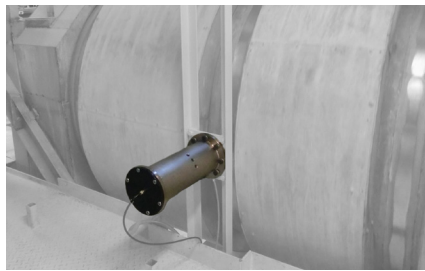
High-Frequency Impactors Series NHK

Type	A [mm]	B [mm]	C [mm]	D [mm]	E [mm]	F [inch]	G [inch]	Weight [kg]
NHK 25	444	230	194	200	17,5	G 1/2	G 1/8	35*

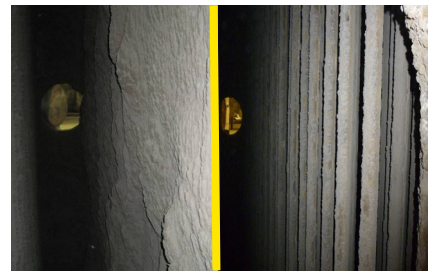
*Assembly with rod the weight is 38 kg



Sound protection hoods for NHK



NHK for loosening adhesions on rotary kiln



Cleaning with a drop hammer (left) and with NHK (right) after 6 months

Application areas

The high-frequency impactors of the NHK series are especially suitable for releasing and loosening very sticky materials effectively.

The wide range of applications include cleaning of rotary kilns, loosening of sticky material in bins and removing cast parts from moulds as well as removing exhaust gas residues from heat exchangers.

Design and function

The high-frequency impactors of the NHK series hits the item to be cleaned up to 50 times per second.

Due to their high intensity, the high-frequency impacts achieve a much better cleaning result and protect the component at the same time. The effective cleaning at low load enables a high system efficiency.

The pneumatic drive is almost maintenance-free and allows easy capacity adjustment via the operating pressure.

The NHK 25 has been designed for use in corrosive environments, such as flue gases and high temperatures.

An optional external rod can be added as an extension of the impact mass. With an additional control unit the NHK operating intervals can be regulated and the external rod can be rejected at the end of the impact sequence.

Permissible operating conditions

Drive medium:

Compressed air or nitrogen (filter $\leq 5 \mu\text{m}$), preferably with oil mist

Operating pressure:

2 bar to 6 bar

Ambient temperature:

5 °C to 160 °C

NetterVibration offers the accessories required for mounting, installation, control and monitoring of vibrators and impactors.

Netter provides solutions. Consult our experienced application technicians.

Netter GmbH

Fritz-Lenges-Str. 3
55252 Mainz-Kastel

- Germany
- Switzerland
- Poland
- Spain
- Australia
- United Kingdom

www.**NetterVibration**.com
info@**NetterVibration**.com