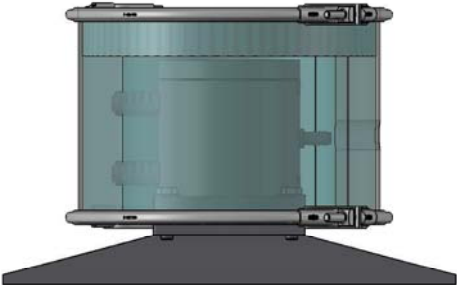




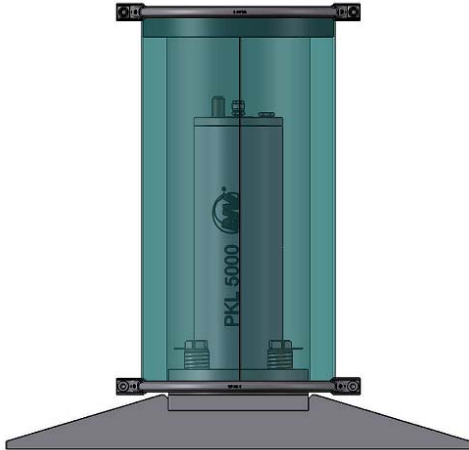
Netter Sound Protection Hood



- Sound reduction
- Insulation of the sound level
- Complete isolation of the source of sound



Sound protection hood for NHK with weld-on bracket



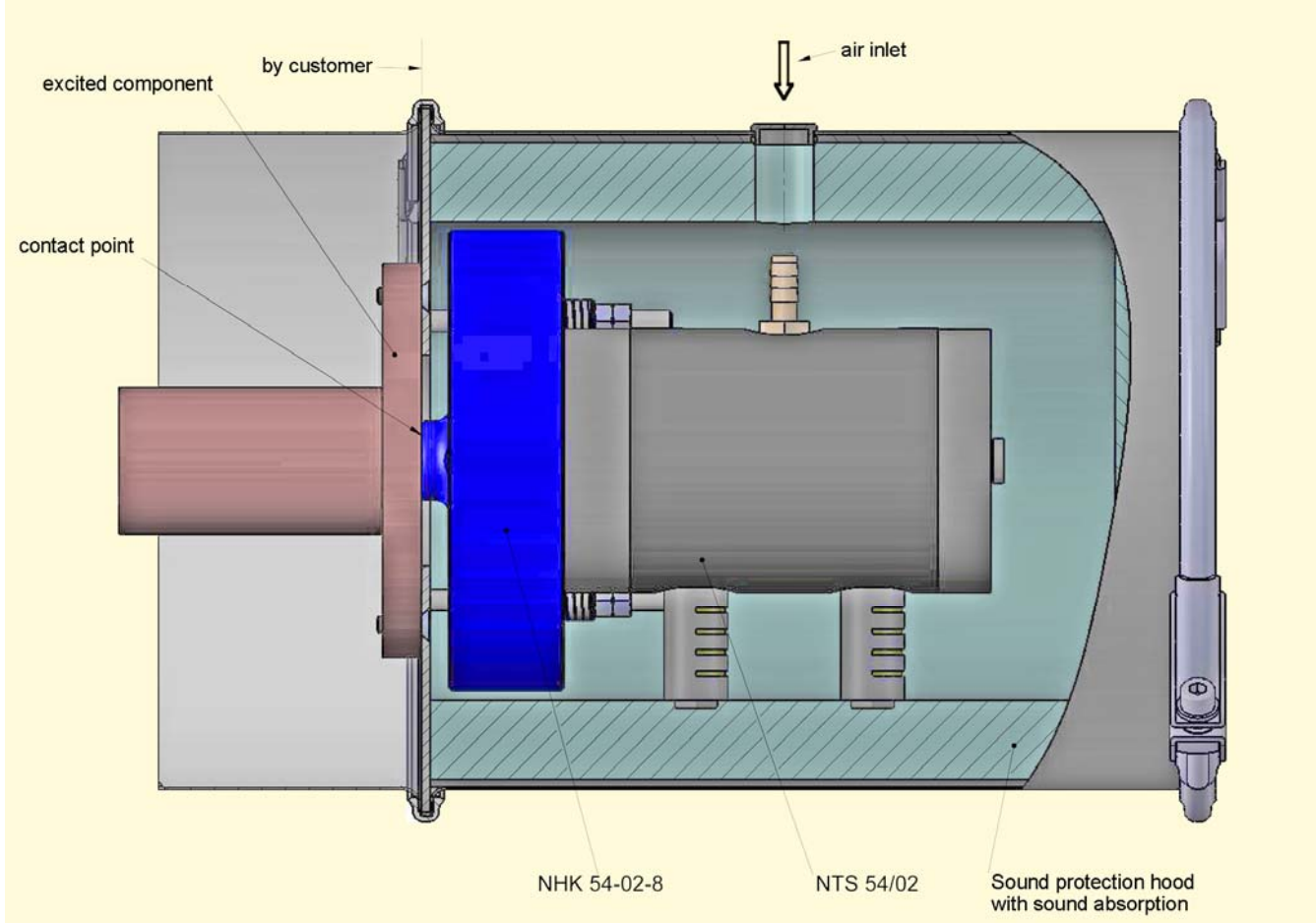
Sound protection hood for PKL 2100 or PKL 5000 with weld-on bracket



Netter Sound Protection Hood

Vibrator or impactor type		Sound protection hood type	max. Diameter [mm]	max. Height [mm]
PKL 190	NTS 50/01	Sound protection hood 200/280	265	302
PKL 450	NTS 75/01			
PKL 740	NTS 100/01			
PKL 2100		Sound protection hood 250/500	315	508
PKL 5000				
NTS 50/04	NTS 70/02	Sound protection hood 300/201	365	226
NTS 54/02				
NHK 50-04		Sound protection hood 302/500	365	700

Example for mounting an NHK with sound protection hood:



Applications

Sound protection hoods for vibrators and impactors are intended to reduce the sound effectively. To reduce the sound effectively, the impacted plates have also been insulated (eg thermal insulation).



The lining consists of acoustic enclosures
 - one noise-absorbent mat and
 - one absorption foam mat.

Operating temperature:
 max. 100°C (HT version on request).

Material:
 Stainless steel sheet. (Other materials on request).

We pleased to offer sound protection hoods for other vibrators and impactors.

NetterVibration offers the accessories required for the mounting, installation, control and monitoring of vibrators and impactors.

Netter provides solutions. Consult our experienced application technicians.

Netter GmbH

Germany
 Fritz-Ullmann-Str. 9
 55252 Mainz-Kastel
 Tel. +49 6134 2901-0

Poland
 Al. W. Korfantego 195/17
 40-153 Katowice
 Tel. +48 32 2050947

Switzerland
 Erlenweg 4
 4310 Rheinfelden
 Tel. +41 61 8316200

Spain
 Errota Kalea 8
 20150 Villabona-Guipúzcoa
 Tel. +34 943 694 994

www.**NetterVibration.com**
 info@**NetterVibration.com**